

# Mik Mac

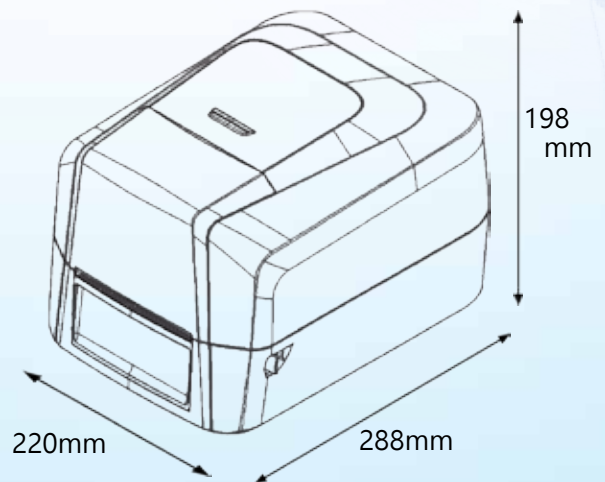
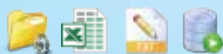
## marking systems



### Economical Desktop Label Printer C34 Series



- 12 hours continuous printing without over heated shutdown
- Maximum printing speed :102mm (4")/sec (203 DPI)  
75mm (3 ")/sec (300 DPI)
- 127mm (5") OD large media loading space
- Screwdriver-free installation for cutter and peeler
- Rugged double-wall clamshell structure
- Precise self-calibration system, no more label wastge
- Cover closing safety design to avoid hand clamping
- Support for ZPL, EPL, TSPL, DPL emulation
- Free labelling software "WinLabel" with various of database supports( .dbf, .xlsx, .txt, SQL...etc)



Cover closing buffer design



"WinLabel"  
Label design software



## Desktop Label Printer

MODEL	C342C	C343C
Printing method	Thermal Transfer / Direct Thermal	
Resolution	203 DPI	300 DPI
Max. print speed	102 mm (4") / second	75 mm (3") / second
Max. print width	108 mm (4.25")	108mm (4.32")
Max. print length	2286mm (90")	1016mm (40")
Enclosure	Double - walled plastic	
Physical dimension	220mm(W) x 198mm(H) x 288mm(D) 8.7"(W) x 7.8"(H) x 11.3"(D)	
Weight	2.5 KG	
Label roll capacity	127 mm (5")OD	
Ribbon	300M length, max. OD 67 mm, 1" core	
Ribbon width	25.4 mm ~ 110 mm (1" ~ 4.3")	
Processor	32-bit RISC CPU	
Memory	8MB Flash memory, 8MB SDRAM	
Power	External universal switching power supply, Input: AC 100-240V, 2.0A, 50-60Hz, output: DC 24V, 2.5A, 60W	
Operation switch, Button, LED	1 feed button	
Interface	USB 2.0	
Sensors	Reflective sensor (adjustable), Ribbon end sensor, Cover open sensor	
Fonts	Seven kinds of bitmap fonts	
Bar code	1D bar code : Code 11, Code 39, Code 93, Code 128, Codabar, EAN/JAN-8, EAN/JAN-13, Interleaved 2-of-5, ITF-14, MSI Plessey, PostCode, Telepen, UPC-A, UPC-E, UCC-128, Standard 2 of 5, Industrial 2 of 5 2D bar code : Code 16K, Code 49, Aztec Code, QR Code, PDF417, Micro PDF417, Data Matrix, Grid Matrix, Micro QR Code, MaxiCode GS1 Barcode : GTIN-13, GLN, GTIN-8, GTIN-14(ITF-14), SSCC, GS1-128, GS1 DataBar, GS1 Composite	
Printer language	WPL (Compatible to the other printer languages as ZPL, EPL, TSPL, DPL...etc)	
Dealer options	Cutter · Peeler dispenser · External label stand	
Media width	15 ~ 110 mm (0.59" ~ 4.3")	
Media thickness	0.06 ~ 0.19 mm (2.36 ~ 7.48 mil)	
Media core diameter	25.4 mm (1")	
Label length	5 ~ 2,286 mm (0.2" ~ 90")	5 ~ 1,016 mm (0.2" ~ 40")
Storage condition	-40 ~ 60°C, 10~ 90% (non-condensing)	
Operation condition	5 ~ 40°C, 25 ~ 85% (non-condensing)	
Safety regulation	CE Class B, FCC Class B, CCC, CB, BIS	
Bundled software	"WinLabel" label design software, Windows printer driver, Printer utility, DLL SDK library, EXE executive AP for batch print Platform support : Windows XP SP3, Vista, 7, 8, 8.1, 10 and Server 2003, 2008, 2012, 2012R2 (32/64 bit)	



Cutter Module



Peeler Module

